



dream it.  FEEL IT.



3D PEN



Let Your Drawing Stand

BEYOND 2D

CoLiDo™ 3D Pens have revolutionized the concept of a simple 2D drawing. With a CoLiDo™ 3D Pen, now your drawing has 3 dimensions. What you draw is a solid object that is not just on a piece of paper but literally stands on any surface.

BEYOND LOCATION

No matter whether you are in school / office / party / coffee shop, etc., you can make your own 3D creation with this small and portable CoLiDo™ 3D pen.



PORTABLE 3D MODEL CREATION TOOL

- Portable and pen-shaped
- Weighs only 70 gm. Easy to carry around
- Fast/Slow mode options to facilitate your 3D model creation



CREATE HIGH QUALITY 3D MODELS

- Specially designed nozzle to extrude filament smoothly
- Keeps nozzle temperature stable through PID controller to prevent filament cut off



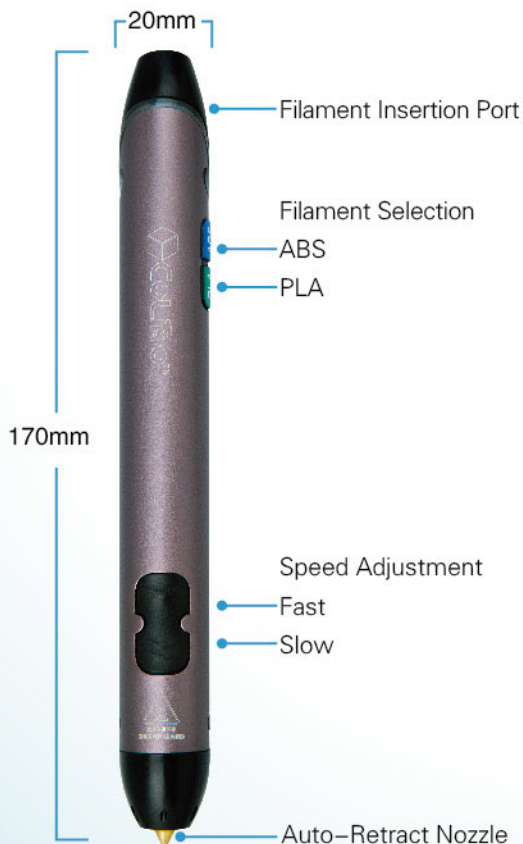
CHOOSE FROM A WIDE RANGE OF HIGH QUALITY FILAMENTS

- The filament is made of high quality material, which helps create better 3D models
- Various choices of filament colors and texture



SAFE

- The nozzle slides up inside the 3D Pen when not in use (e.g. feeding filament)
- The pen enters Sleep Mode when it stops extruding for 5 minutes or more
- The pen enters Sleep Mode when the nozzle temperature is higher than 250°C (482°F) or lower than 1°C (33.8°F)



APPLICATIONS

- Conceptual drawing
- Personalized gift
- Decoration and display
- Tool for work and daily life and more ...

TECH SPEC

Print Technology	Fused Deposition Modeling (FDM)
Nozzle Quantity	1
Nozzle Diameter	0.7 mm
Filament Material	PLA / ABS
Filament Diameter	1.75 mm

Coli3o™



Global Master Distributor of PRINT-RITE Imaging Products
 Union Technology International (MCO) Co., Ltd
 14H Nam Kwong Building, 223-225 Avenida Dr Rodrigo Rodrigues, Macao SAR
 (853) 2871 5020 sales8@utec.com.mo www.union-tec.com

